

Description:

Rainwater filter for the installation in rainwater tanks made of polyethylene or concrete.

Due to the inclined angle of the filter sieve the dirt is rinsed into the sewer. Filter cartridge mesh in stainless steel within plastic housing.

Retro-fitting with 3P Backwashing Device PF + SF is possible. Inside the filter housing an opening is installed which can be used. The 3P Patronen Filter is ideally suited for use in combination with a 3P Overflow Siphon Duo and the 3P Calmed Inlet.

Connection capacity after DIN 1986: for roof areas up to 213 m² at a rainfall intensity of 300l/(sxha)

All connections: DN 100

Small height difference of 66 mm between rainwater inlet and wastewater outlet

Mesh size of filter cartridge: 0,7 x 1,7 mm

The cleaned water can be used in washing machines, toilet flushing and garden watering.

Low maintenance, the filter has to be cleaned depending on the contamination several times during a year.



How it works:

1. Rainwater is led onto the filter cartridge
2. The filter cartridge cleans the rainwater. The cleaned rainwater is led through the calmed flow inlet into the rainwater tank
3. Due to the steep inclination of the filter and its smooth surface structure the dirt is quickly rinsed away into the sewer



Technical Data:

Filter according to DIN 1989-2, Typ C

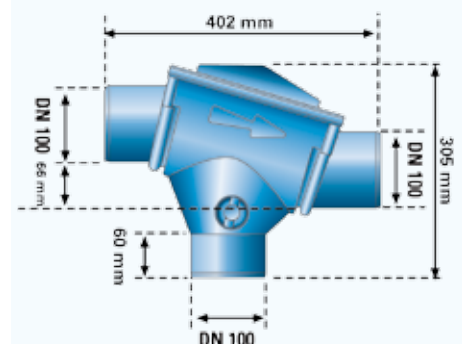
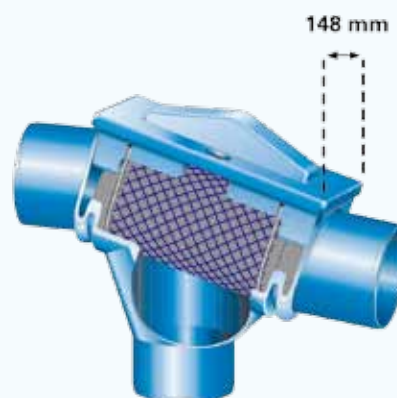
Inlet rainwater: DN 100
 Outlet to storage: DN 100
 Outlet to sewer: DN 100

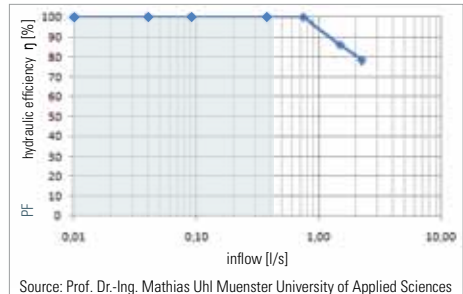
Height difference between rainwater inlet and outlet: 66 mm

Housing material: Polyethylene
 Material filter cartridge: Stainless steel 1.4301
 Material Poly-Net: Polyethylene

Mesh size: 0,7 x 1,7 mm

Weight: 1,4 kg





Source: Prof. Dr.-Ing. Mathias Uhl Muenster University of Applied Sciences

80% of the average intensity of rainfall in Germany is under 15 l/(sxha), resulting a volume flow rate of 0,32 l/s with a roof area of 213 m².

Diameter of tube	maximum flow rate	connectable area max. 200 l/(sxha)	connectable area max. 300 l/(sxha)
DN	l/s	m ²	m ²
100	6,4	320	213

Text for invitation of tenders:

Pos.	Quantity	Article	Price in €
1.1	_____	3P Patronen Filter Rainwater filter for installation within rainwater tanks, height difference of 66 mm between inlet and outlet Inlet rainwater: DN 100, Outlet to sewer: DN 100, Outlet to storage: DN 100 Filter cartridge: made of stainless steel, Mesh size: 0,7 x 1,7 mm Integrated backwashing device possible Connection capacity according to DIN 1986: for roof areas up to 213 m ²	_____

Accessory 1:

3P Backwashing Device PF + SF
Art.-Nr. 1000355
consisting of: 10 m of PE hole 16 mm with connection fittings and the 3P Backwashing Device, retro-installation possible



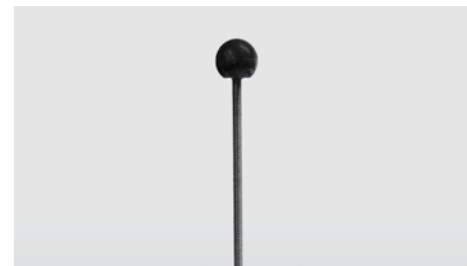
Accessory 2:

3P Automatic Backwashing Device
Art.-Nr. 1000356
consisting of: 3P Backwashing Device, Profi Connection Set and Programmable Timing Device



Accessory 3:

3P Removal Handle Art.-Nr. 1000550
For filter removal in deeper installations
Length: 50 cm



Packing unit 3P Patronen Filter:
m³-Carton: 20 pieces
Pallet: 40 pieces