

## Description:

Easy rainwater filter with integrated dirt retention basket for installation into the ground before the rainwater tank.

The dirt basket made of plastics can be removed easily with the removal handle.

The 3P Garden Filter is suitable for equipments of watering the garden and for sites in which the rainwater has to be infiltrated. That means where no connection with a sewer is possible for the discharge of the rainwater runoff.

The two upper adapters DN 100 can be used as inlets or also optionally as an emergency overflow.

The lower adapter is used as inlet to the rainwater tank.

Connection capacity:  
for roof areas up to 213 m<sup>2</sup>

All connections: DN 100

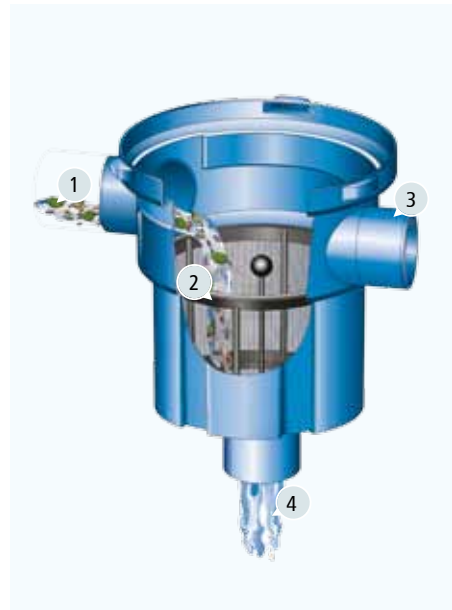
The cleaned water can be used for garden watering

The filter has to be cleaned depending on the contamination several times during the year



## How it works:

1. Rainwater is led through the adapter DN 100
2. The dirt is detained in the dirt retention basket made of plastics, the basket has to be cleaned if necessary
3. One inlet DN 100 can also be used as an emergency overflow
4. Cleaned water flows over the inlet DN 100 into the rainwater tank



## Technical Data:

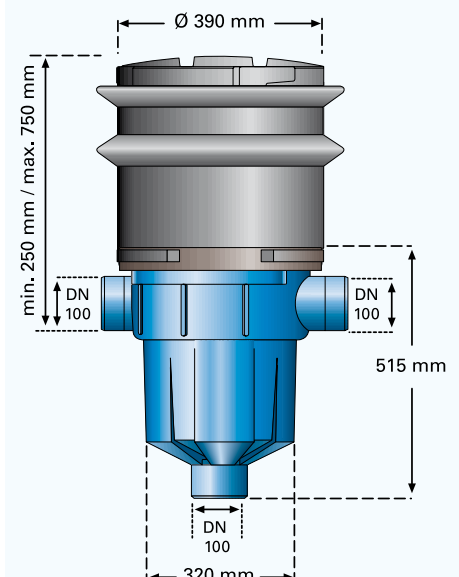
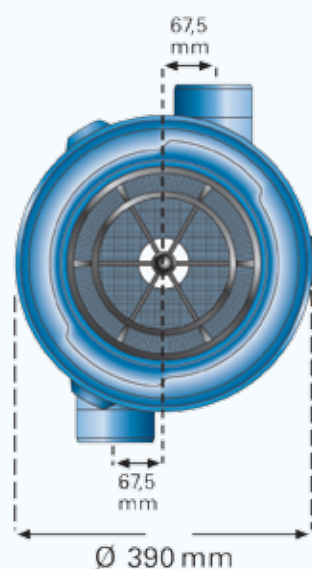
Filter according to DIN 1989-2, Typ B

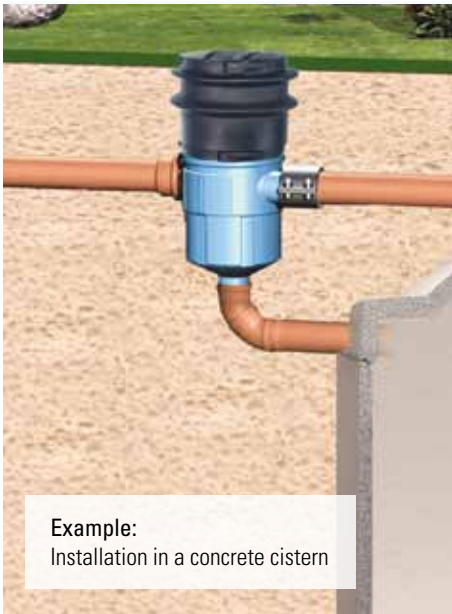
Connection inlet: 2 x DN 100  
Outlet to storage: DN 100

Connection capacity:  
for roof areas up to 213 m<sup>2</sup>

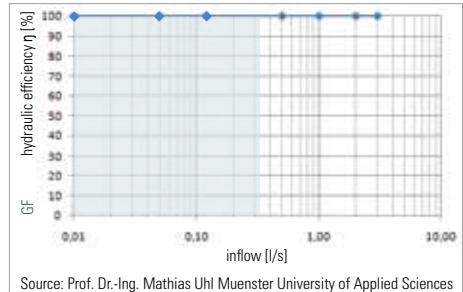
Housing material: Polyethylene  
Telescopic extension: Polyethylene  
Material filter basket: Polyethylene  
Mesh size: 1 mm

Weight: 7,3 kg





**Example:**  
Installation in a concrete cistern



Source: Prof. Dr.-Ing. Mathias Uhl Muenster University of Applied Sciences

80% of the average intensity of rainfall in Germany is under 15 l/(sxha), resulting a volume flow rate of 0,32 l/s with a roof area of 213 m².

Diameter of tube	maximum flow rate	connectable area max. 200 l/(sxha)	connectable area max. 300 l/(sxha)
DN	l/s	m²	m²
100	6,4	320	213

**Text for invitation of tenders:**

Pos.	Quantity	Article	Price in €
1.1	_____	3P Garden Filter Filter for installation in the ground Inlet rainwater: 2 x DN 100, Outlet to storage: DN 100. Filter insert plastic basket, Mesh size: 1 mm, with removal handle Connection capacity according to DIN 1986: for roof areas up to 213 m² at a rainfall intensity of 300 l/(sxha)	_____
1.2	_____	3P Telescopic extension for 3P Garden Filter Plastic (PE) shaft for the installation of 3P Garden Filter Telescopic extension can be directly connected with the 3P Garden Filter with a bayonet fitting Height adjustable until 75 cm	_____

**Accessory 1:**

3P Telescopic extension for 3P Garden Filter  
Art.-Nr. 1000560

**Accessory 2:**

3P Locking lid for 3P Garden Filter  
Art.-Nr. 1000502  
Color: blue



**Packing Unit 3P Garden Filter with 3P Telescopic extension:**  
Pallet: 12 pieces