



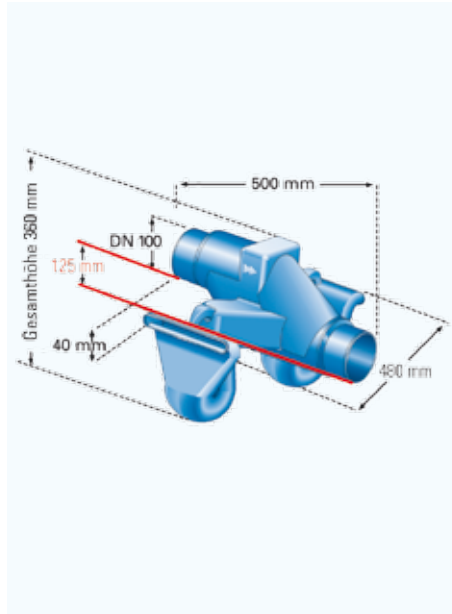
Description:

Overflow Siphon with odour trap and suction of the surface water

The Overflow Siphon is installed inside the rainwater tank, between the filter and the tank wall overflow outlet. Therefore unnecessary installation time and fittings are omitted. Because of the firm height difference inside the overflow siphon, installation errors can be avoided and the functionality is secured.

Overflow siphon with a lateral suction of the surface water on both sides inside the rainwater tank

No entry of rodents. Connection for supporting tube available.



**3P Overflow Siphon duo
DN 100**

Art.-Nr. 4000200



Description:

Overflow Siphon with odour trap and suction of the surface water

Overflow siphon with a lateral suction of the surface water on both sides inside the rainwater tank

No entry of rodents

Regular overflowing of the rainwater tank is essential as it prevents the formation of a surface matt of light particles which reduce oxygen diffusion at the water surface. This keeps the water fresh by stopping any anaerobic decomposition from taking place.

Technical Data:

Connection: DN 100
Material: Polyethylene

Connection adapter DN 50 for using a high-temperature resistant (HT) tube as support. The overflow siphon is filled with water (odour trap). If the storage has a low water level, the support keeps the overflow siphon in the right position.

Weight 3P Overflow Siphon mono: 2,0 kg
Weight 3P Overflow Siphon duo: 2,2 kg

**3P Overflow Siphon mono
DN 100**

Art.-Nr. 4000250



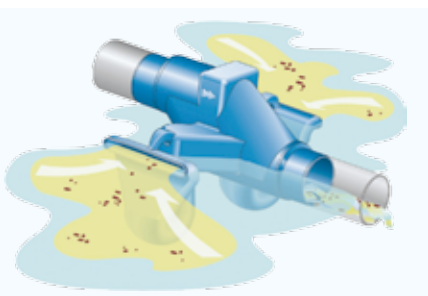
How it works:

Dirt particles, which are lighter than water (e.g. pollen) float on the water's surface. The design of the Overflow Siphon ensures it removes the floating debris. Regular overflowing of the cistern is essential for a high water quality. The Overflow skims the

top layer enabling oxygen diffusion at the water surface. Regular overflowing of the rainwater tank is essential as it prevents the formation of a surface matt of light particles which reduce oxygen diffusion at the water surface. This keeps the water fresh by stopping any anaerobic decomposition from taking place.

Packing unit

3P Overflow Siphon mono DN 100:
Carton 1150 x 790 x 1065 mm: 16 pieces
Pallet: 32 pieces



Packing unit

3P Overflow Siphon duo DN 100:
Carton 1150 x 790 x 1065 mm: 12 pieces
Pallet: 24 pieces