

Description:

Giant Overflow Siphon with odour trap and suction of the surface water.

No passing for rodents because of high-grade stainless steel rodent barrier.

Regular overflowing of the rainwater tank is essential as it prevents the formation of a surface matt of light particles which reduce oxygen diffusion at the water surface. This keeps the water fresh by stopping any anaerobic decomposition from taking place.

Ideal for use in large-scale installations.

The 3P Giant Overflow Siphon's outlet fits any DN 150 / 200 / 250 plastic pipe.

The overflow siphon must be securely installed into the tank, since it has a substantial weight when filled. If the water level is very low, the lifting power is missing. The Giant Overflow Siphon has several connection points in order to fasten it inside the tank. A high-temperature resistant (HT) DN 50 pipe can be attached to the bracing point to act as a supporting bracket.



How it works:

Dirt particles, which are lighter than water (e.g. pollen) float on the water's surface.

The design of the Overflow Siphon ensures it removes the floating debris. Regular overflowing of the cistern is essential for a high water quality. The Overflow skims the top layer enabling oxygen diffusion at the water surface.

1. Inlet with rodent barrier
2. Connection point for secure attachment
3. DN 50 pipe connection point for use as a bracing point
4. DN 150 / 200 / 250 outlet



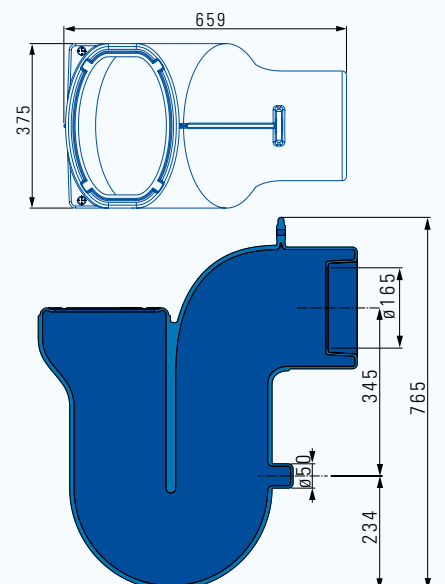
Technical Data:

Connection: DN 150 / 200 / 250

Material: Polyethylene

Rodent Barrier: stainless steel

Weight: 7,5 kg



Example:

Connecting a DN 150 / 200 / 250 plastic pipe



Text for invitation of tenders:

Pos.	Quantity	Article	Price in €
1.1	_____	3P Giant Overflow Siphon DN 150 / 200 / 250 Giant Overflow Siphon for installation in larger rainwater tanks Overflow skims off floating layer of debris and serves as an odour trap With rodent barrier made of stainless steel	_____

Packing unit 3P Giant Overflow Siphon
DN 150 / 200 / 250:
Pallet: 12 pieces